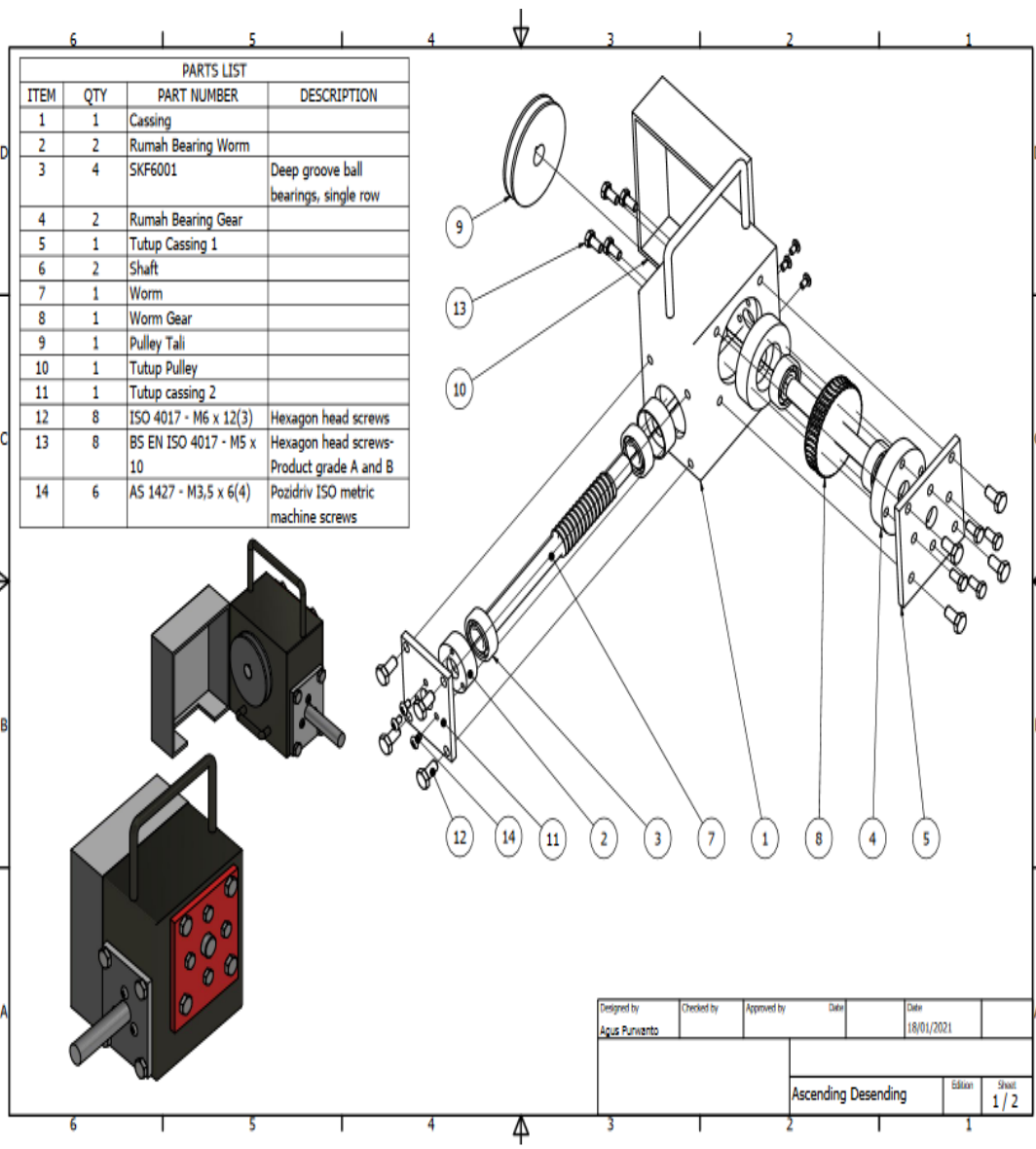
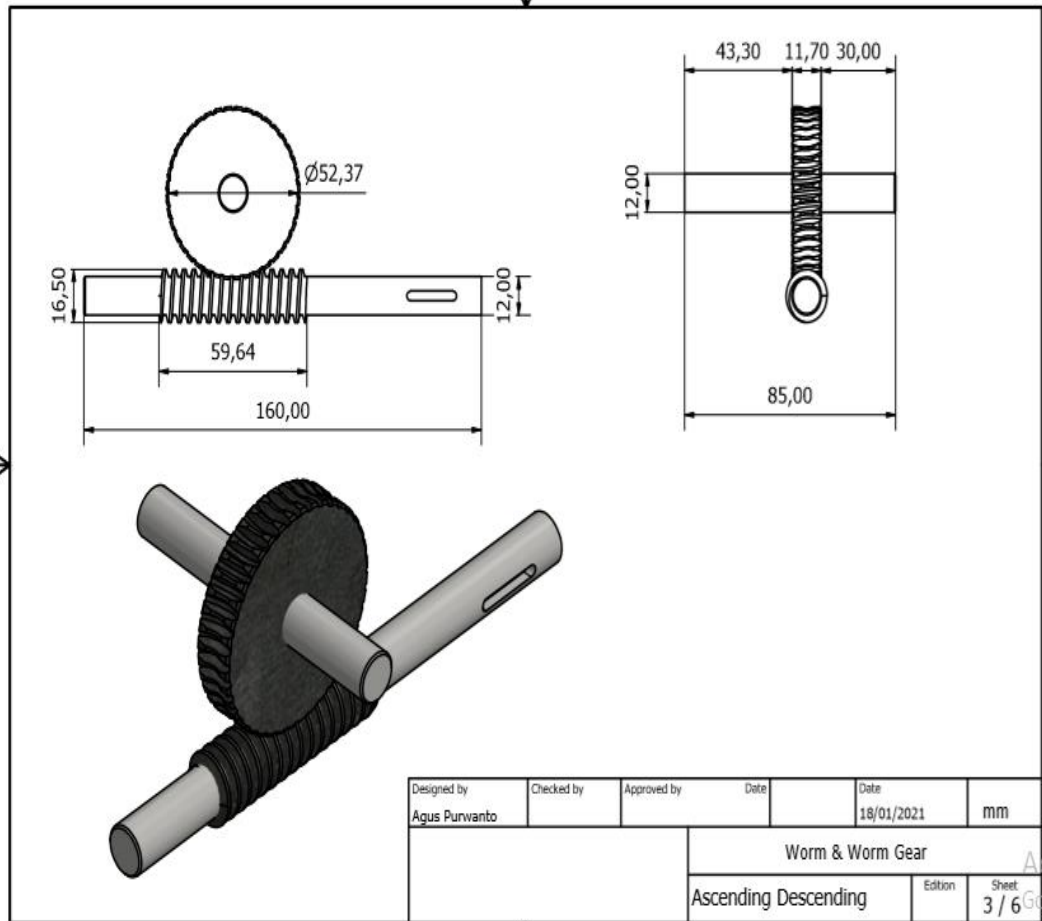


LAMPIRAN LAMPIRAN



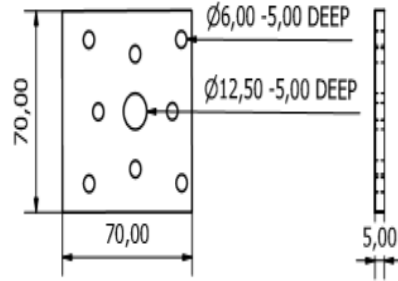
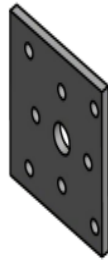
PARTS LIST			
ITEM	QTY	PART NUMBER	DESCRIPTION
1	1	Cassing	
2	2	Rumah Bearing Worm	
3	4	SKF6001	Deep groove ball bearings, single row
4	2	Rumah Bearing Gear	
5	1	Tutup Cassing 1	
6	2	Shaft	
7	1	Worm	
8	1	Worm Gear	
9	1	Pulley Tali	
10	1	Tutup Pulley	
11	1	Tutup casing 2	
12	8	ISO 4017 - M6 x 12(3)	Hexagon head screws
13	8	BS EN ISO 4017 - M5 x 10	Hexagon head screws-Product grade A and B
14	6	AS 1427 - M3,5 x 6(4)	Pozidriv ISO metric machine screws

Designed by	Checked by	Approved by	Date	Date	
Agus Purwanto				18/01/2021	
			Ascending		Descending
				Edition	Sheet
					1 / 2

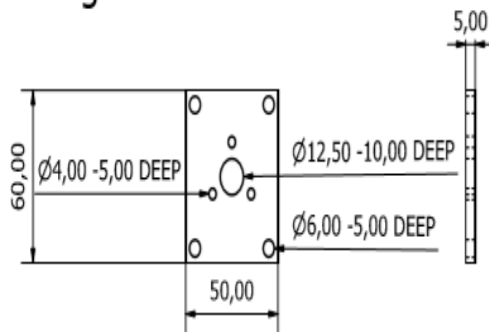


Designed by	Checked by	Approved by	Date	Date	mm
Agus Purwanto				18/01/2021	
			Worm & Worm Gear		
			Ascending Descending	Edition	Sheet
					3 / 6

Activ
Go to



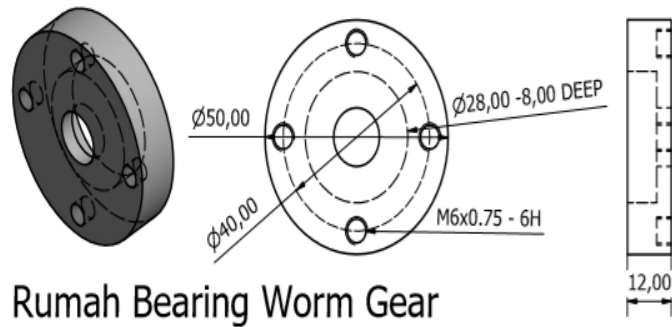
Tutup Casing 1



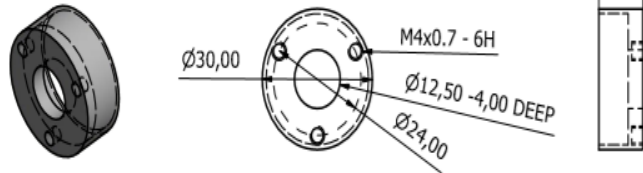
Tutup casing 2

Designed by	Checked by	Approved by	Date	Date	mm
Agus Purwanto				18/01/2021	
			Tutup Casing		
			Assembly1	Editon	Sheet
					5/6

Active
Go to S



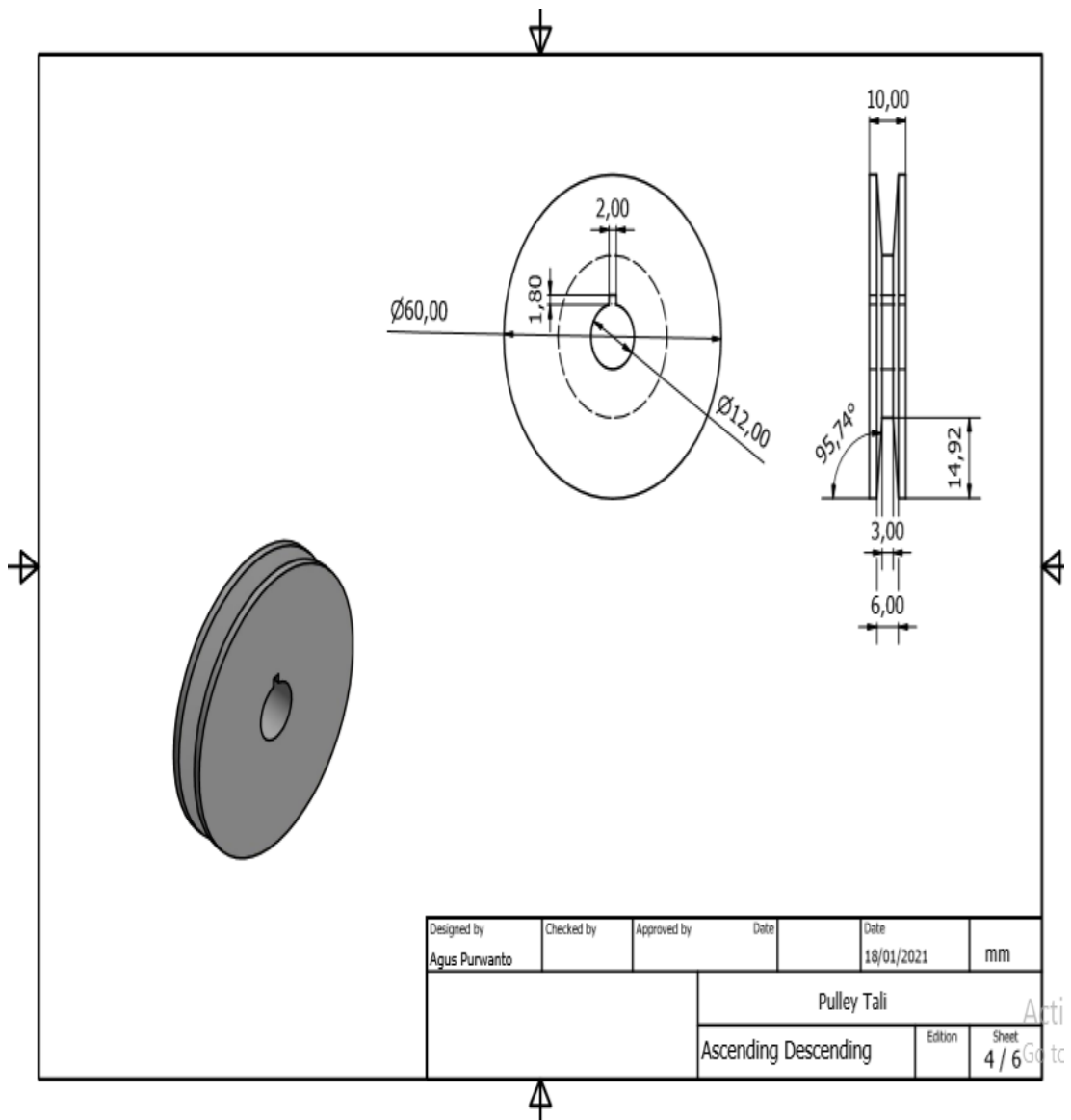
Rumah Bearing Worm Gear



Rumah Bearing Worm

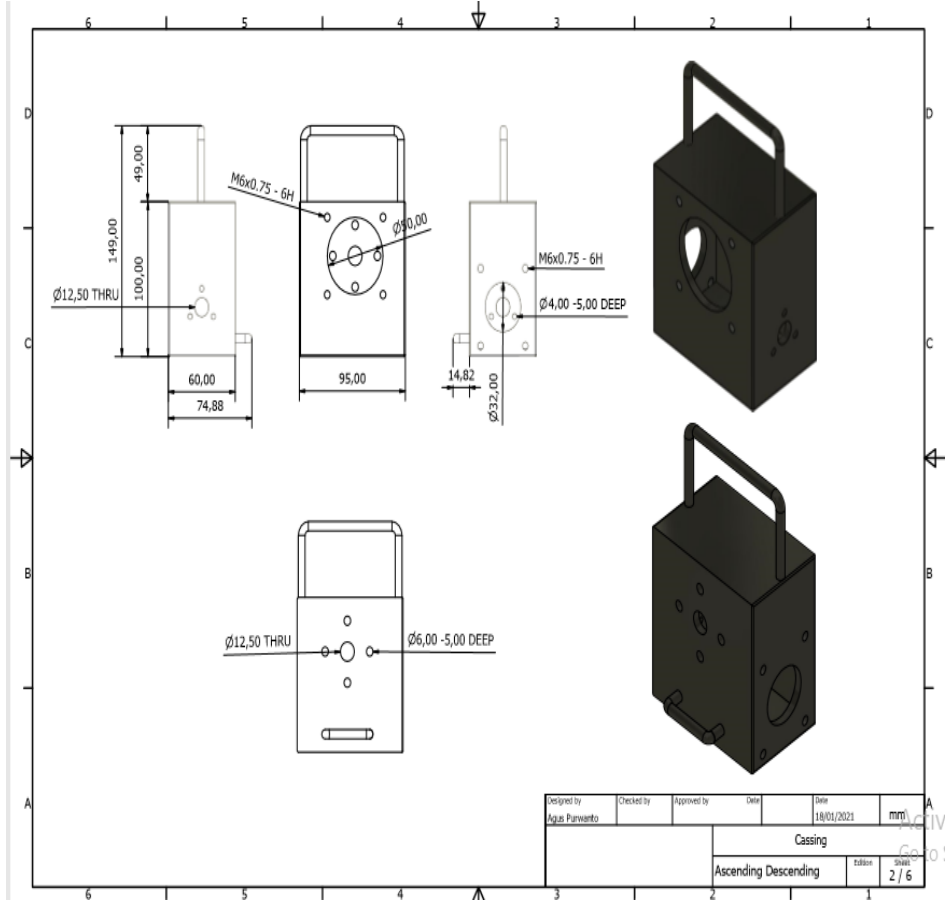
Designed by Agus Purwanto	Checked by	Approved by	Date	Date 18/01/2021	mm
			Rumah Bearing		Edition Sheet 6/6
			Ascending Descending		

Activ
Go to



Designed by	Checked by	Approved by	Date	Date	mm
Agus Purwanto				18/01/2021	
			Pulley Tali		
			Ascending Descending	Edition	Sheet
					4 / 6

Acti
Gotc



Designed by	Checked by	Approved by	Date	Date	mm
Aqua Parvanto				18/01/2021	
Casing					
Ascending Descending					edition 2 / 6



