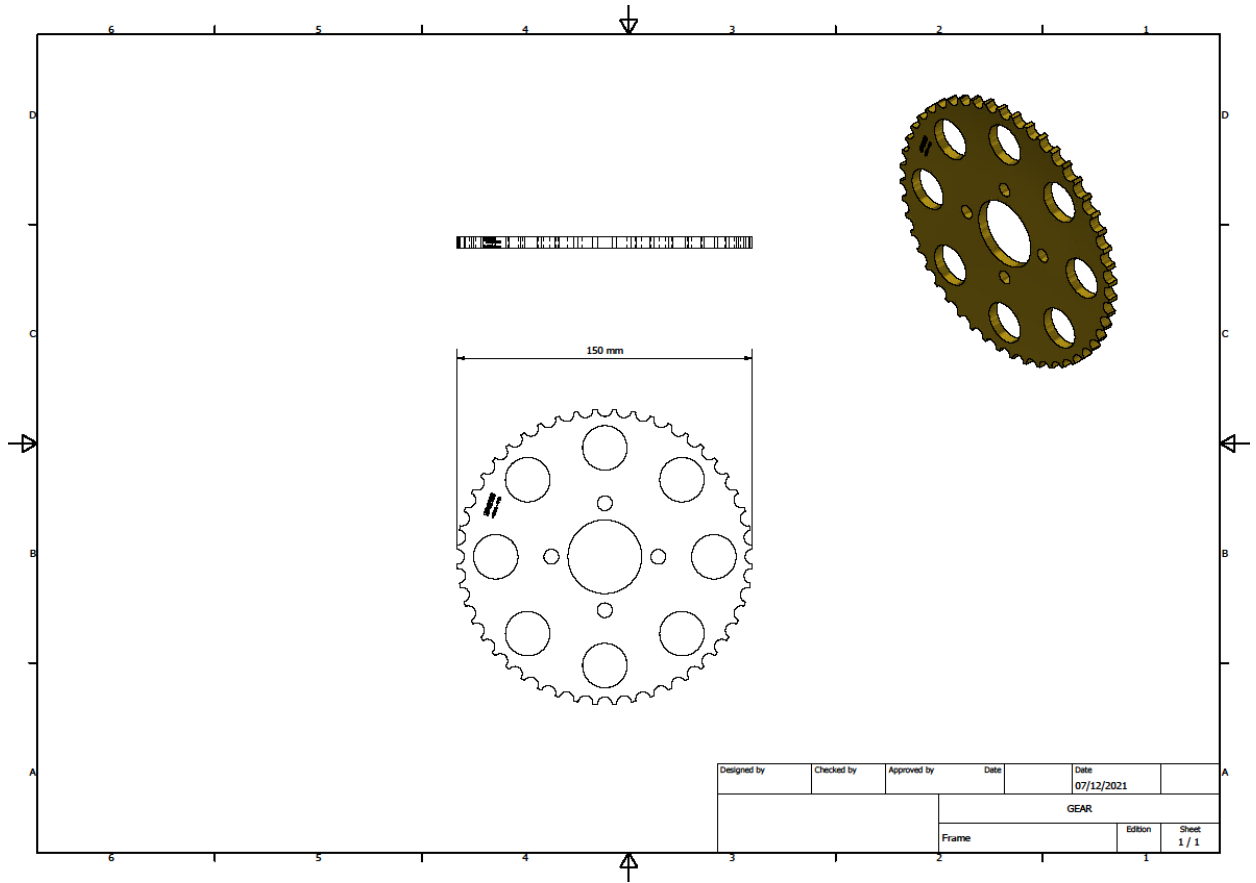
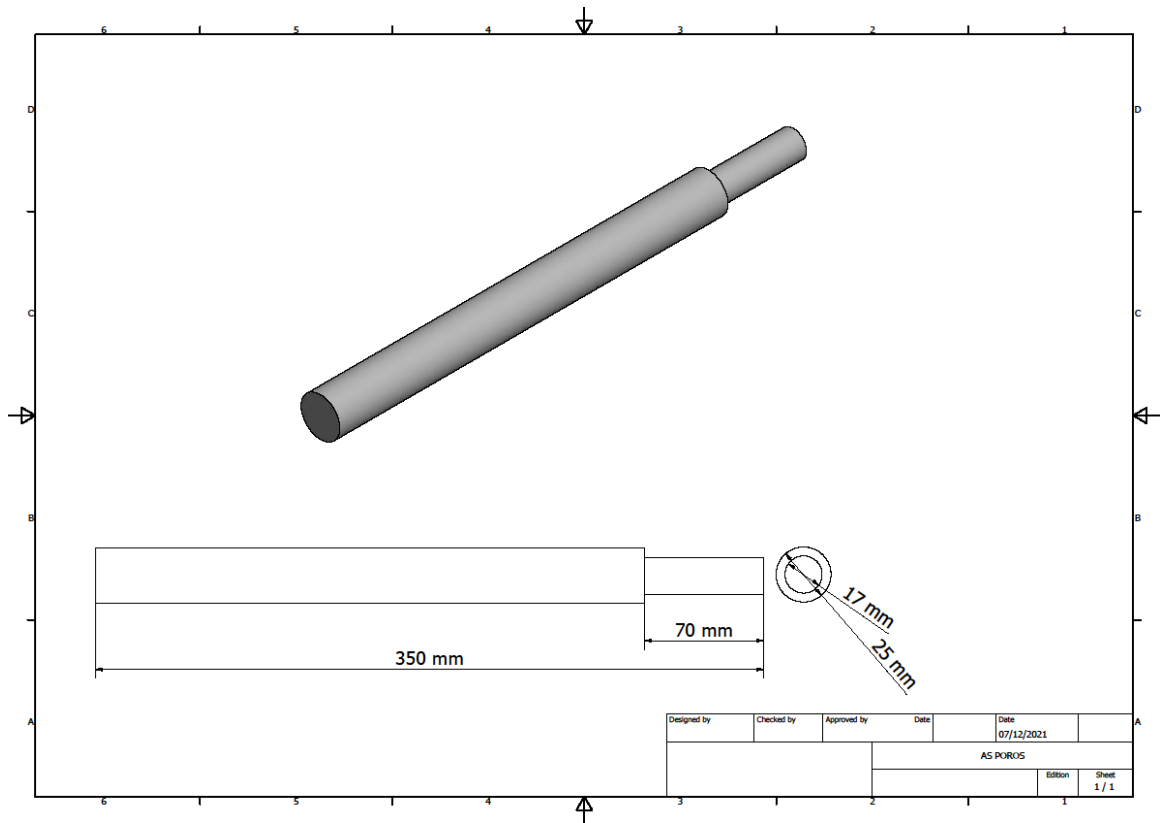
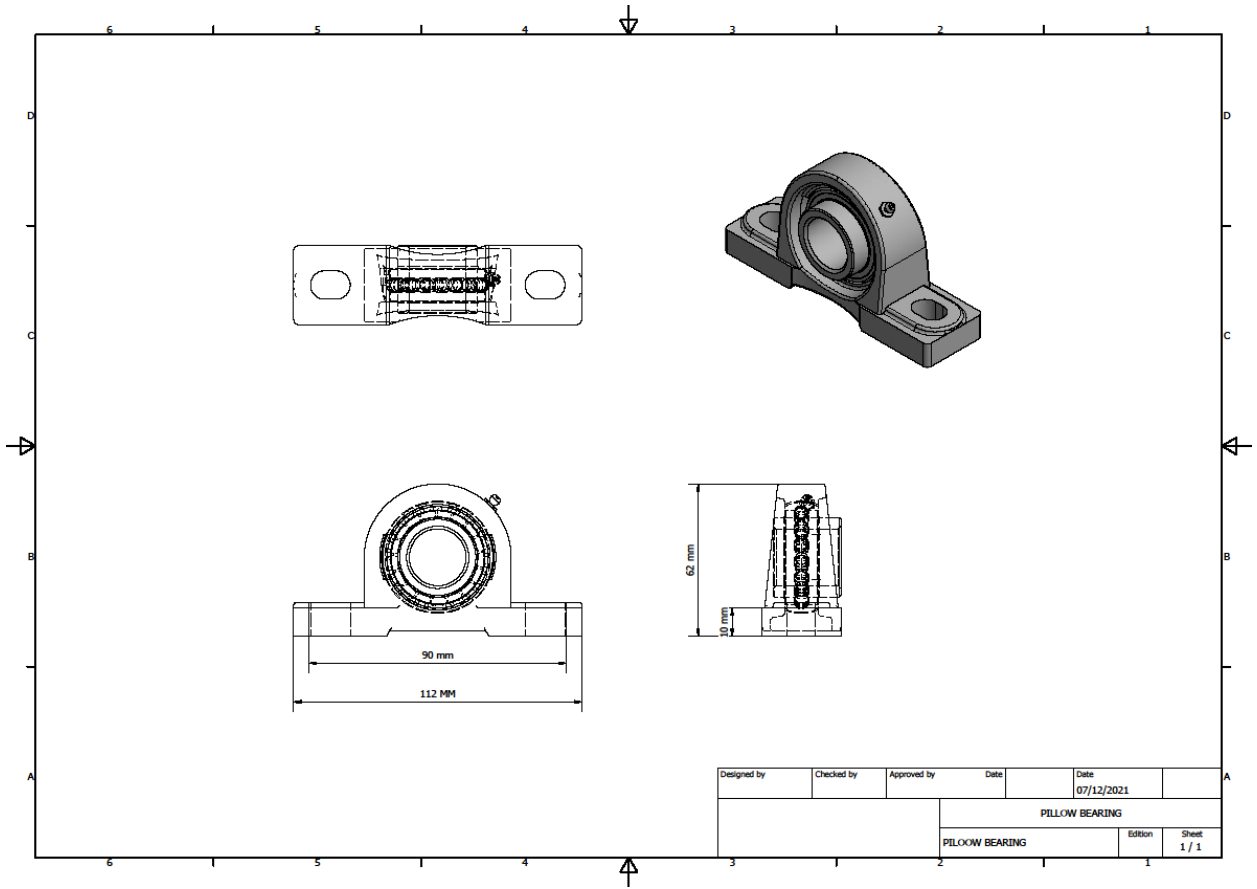
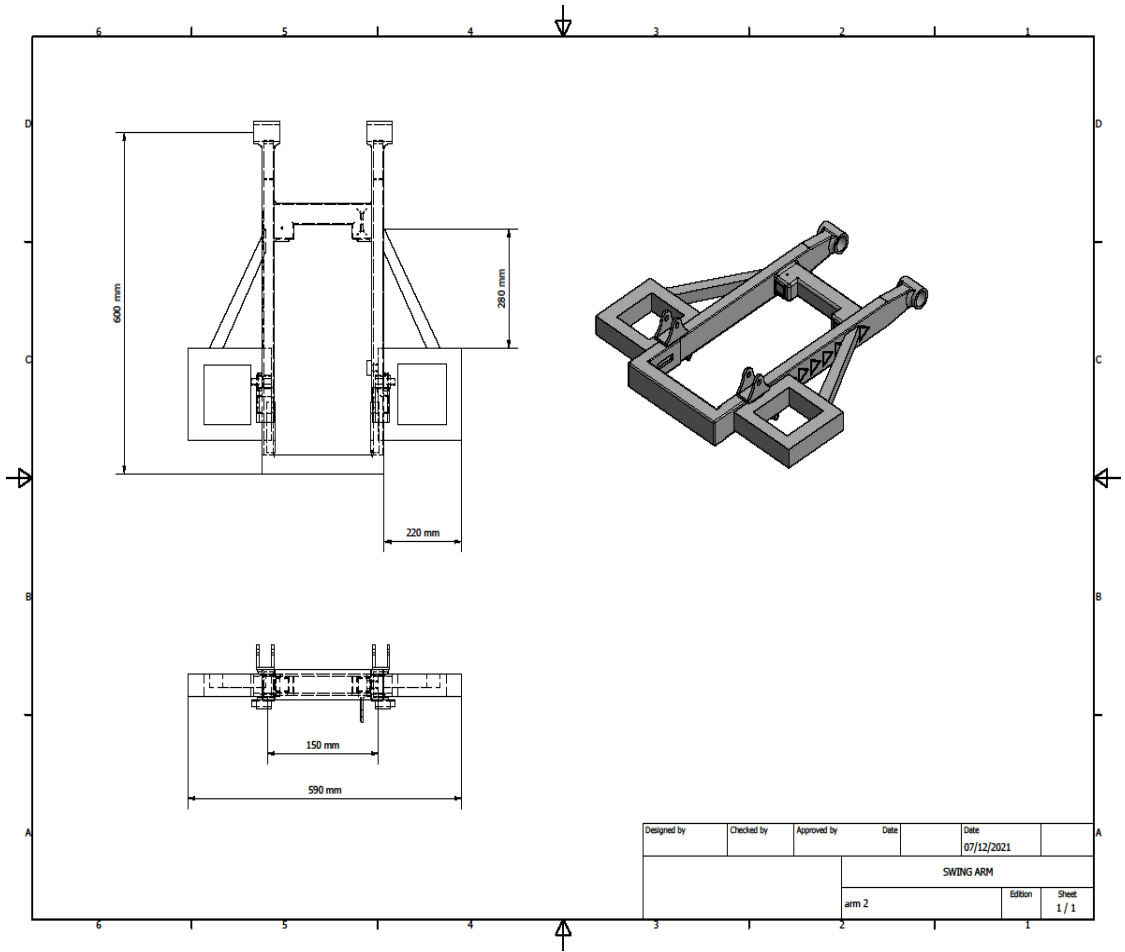


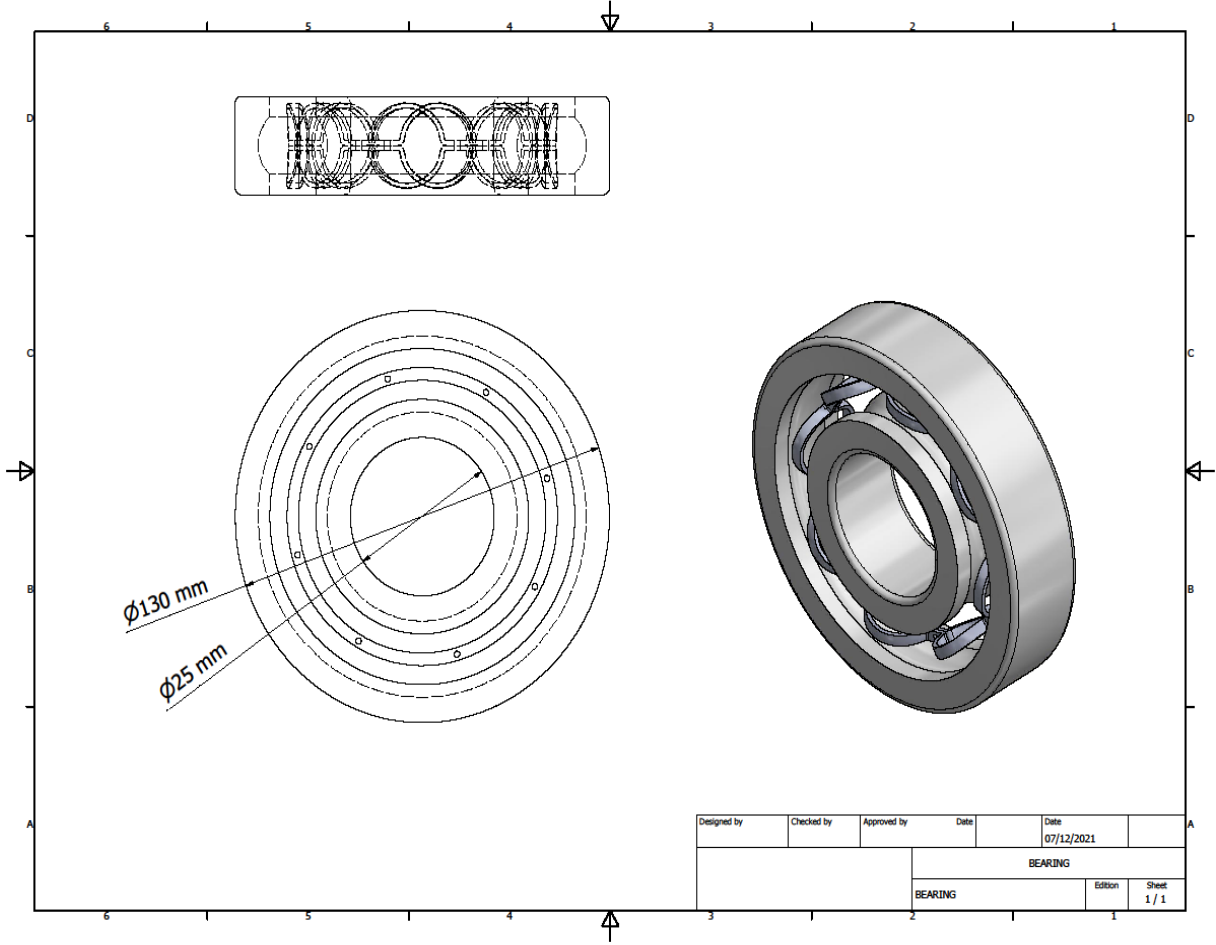
LAMPIRAN











| | | | | |
|-------------|------------|-------------|--------|------------|
| Designed by | Checked by | Approved by | Date | 07/12/2021 |
| BEARING | | | | |
| BEARING | | | Edtion | Sheet |
| | | | | 1 / 1 |

