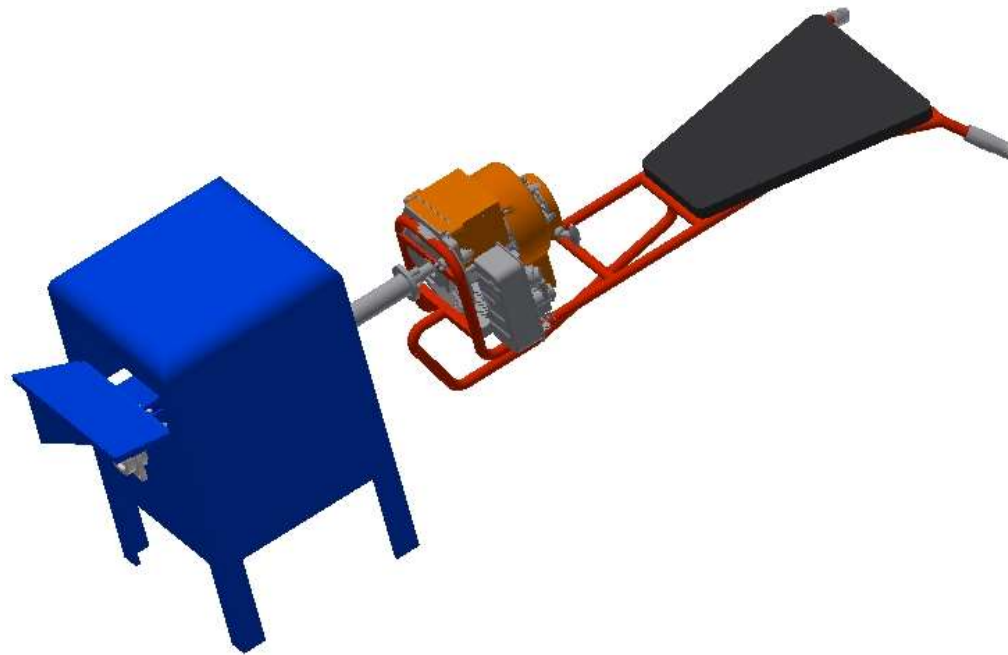
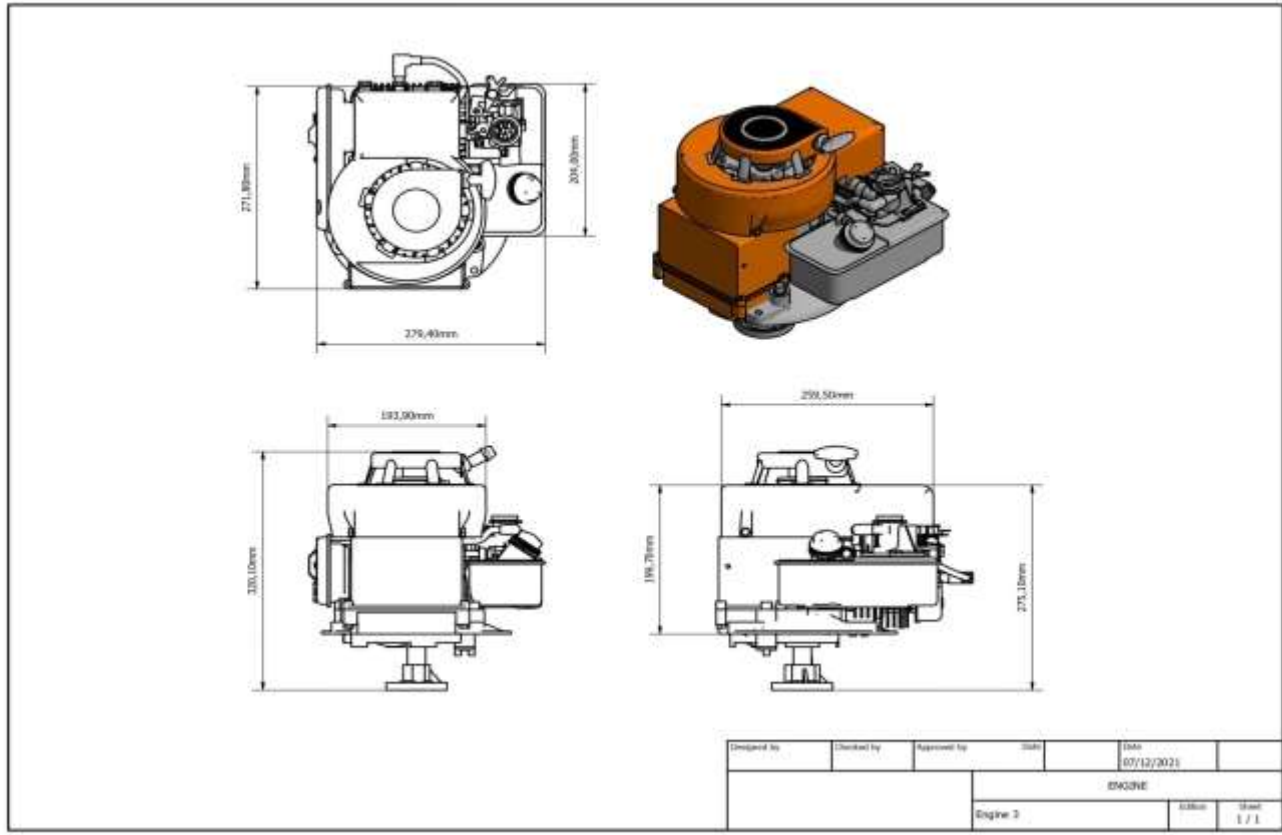


LAMPIRAN

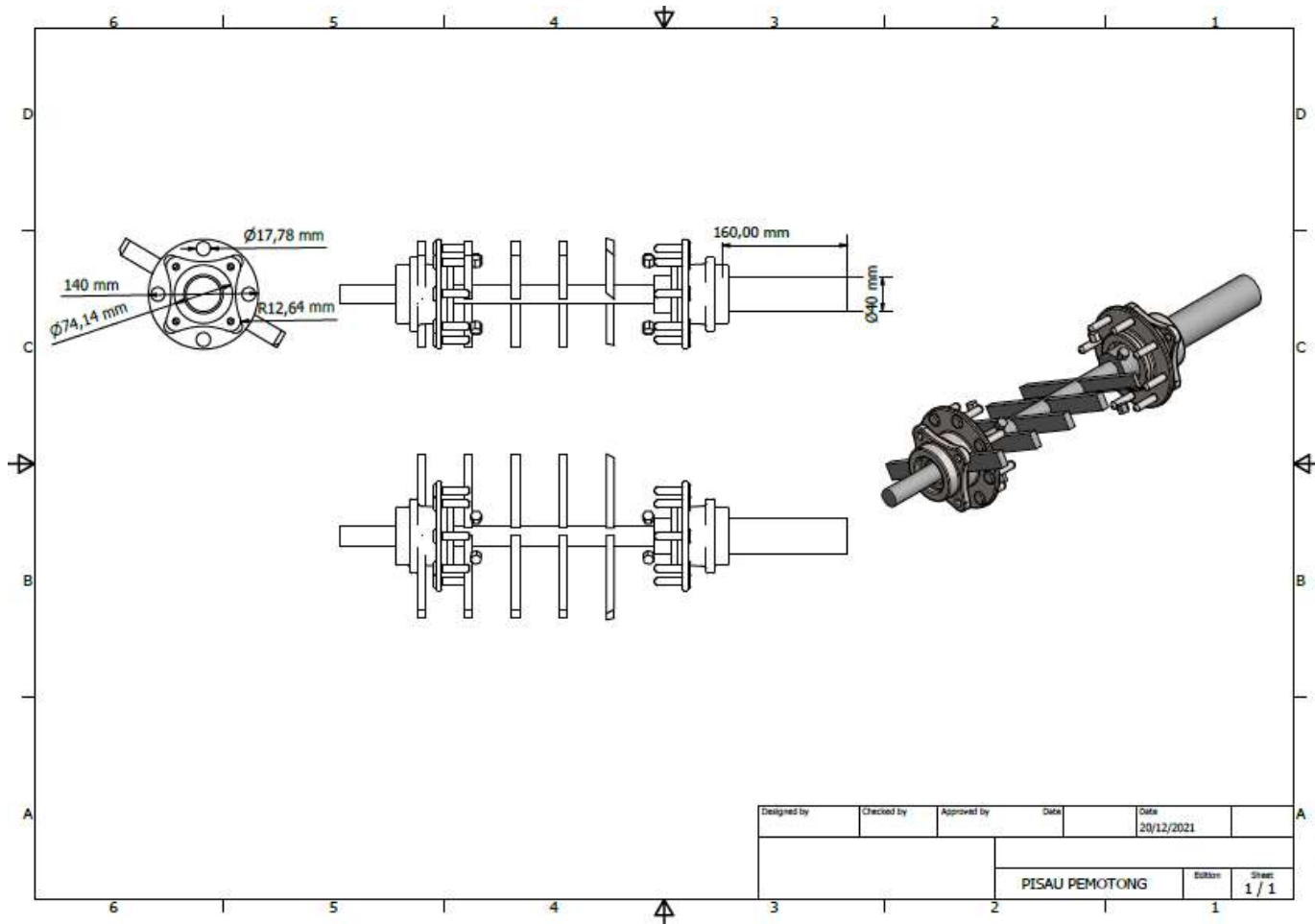




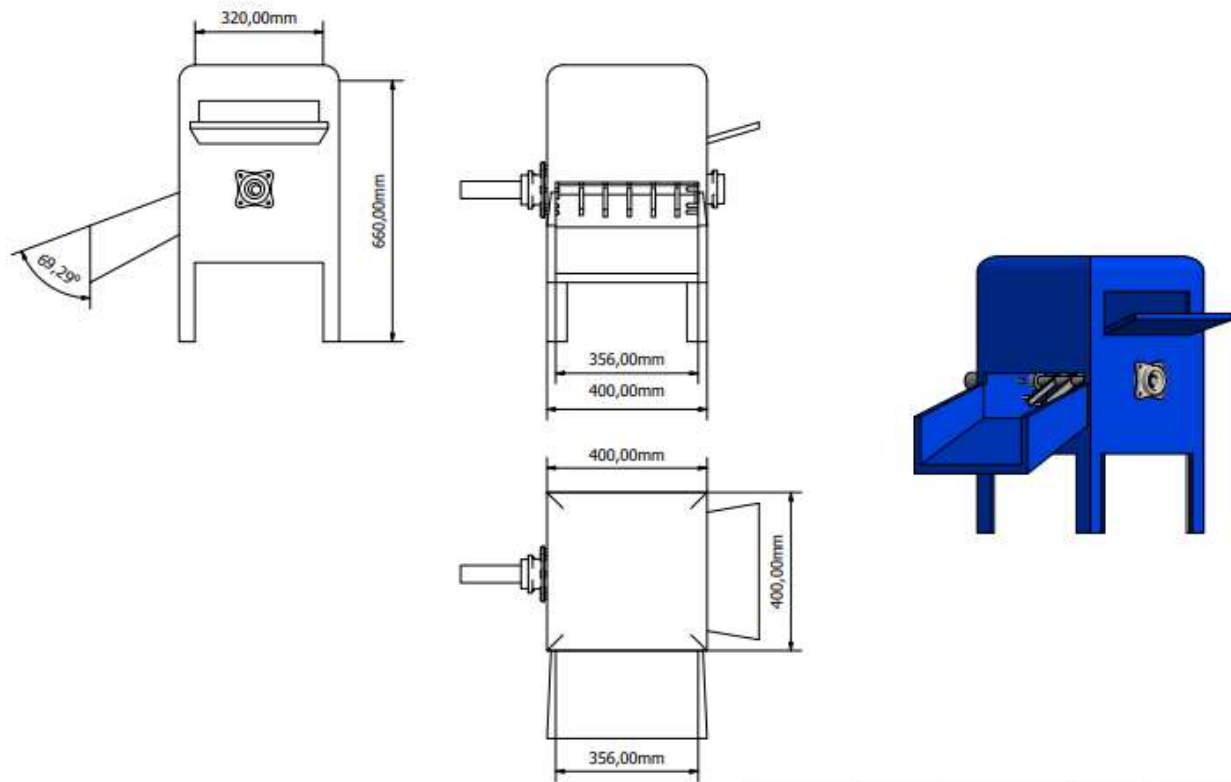
Gambar 1. Mesin Pencacah Rumput



Gambar 2. Mesin Penggerak

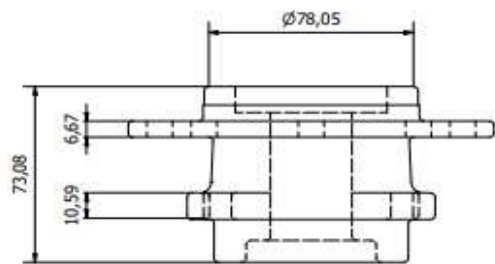
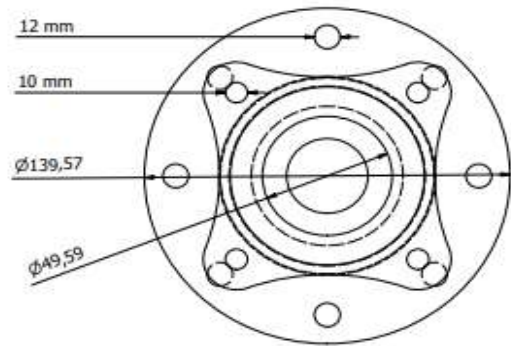


Gambar 3. Ukuran Mata Pisau



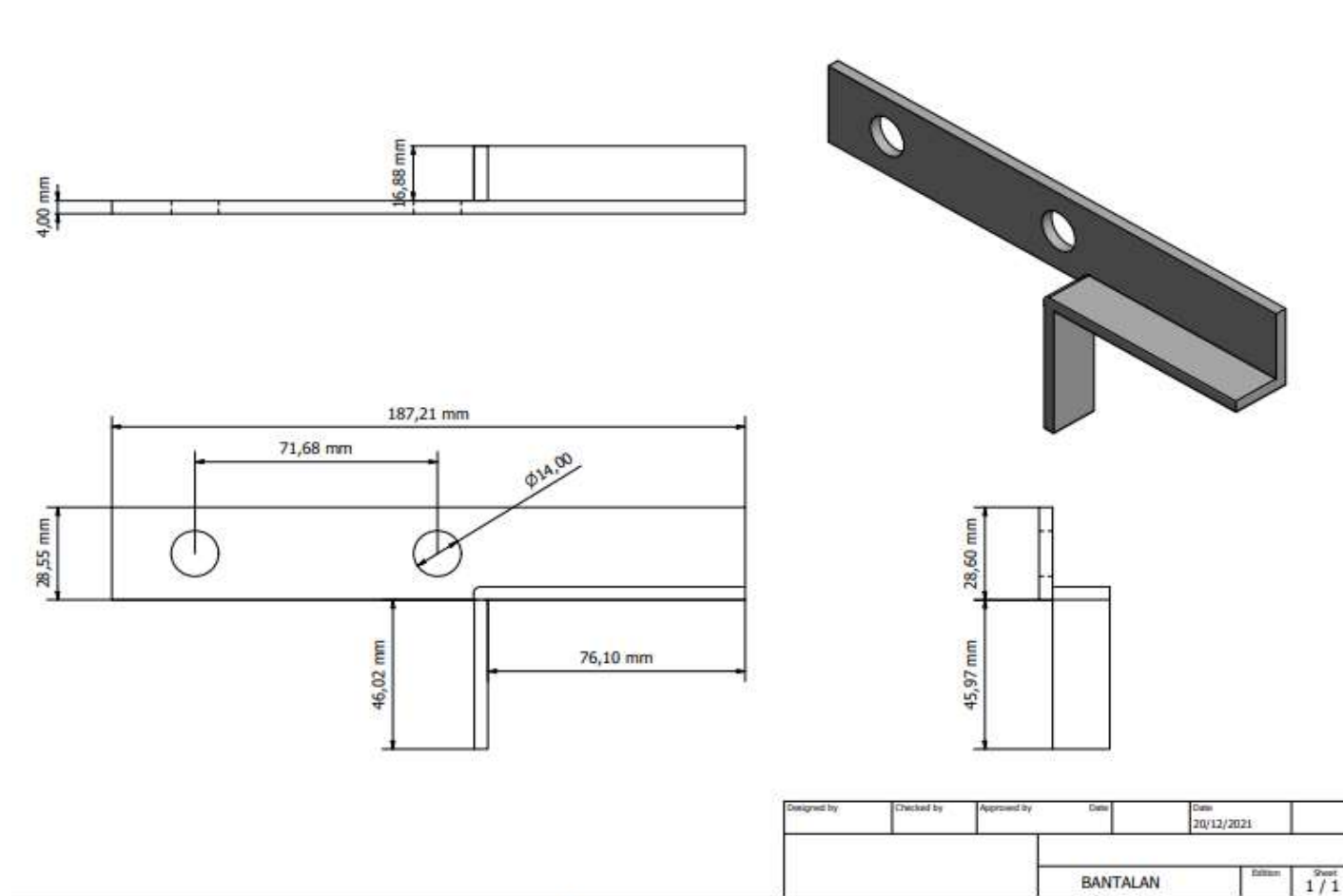
| | | | | | |
|-------------|------------|-------------|---------------------|---------|------------|
| Designed by | Checked by | Approved by | Date | Date | 20/12/2021 |
| | | | BOX PENCACAH RUMPUT | | |
| | | | | Edition | Sheet |
| | | | | 1 / 1 | 1 / 1 |

Gambar 4. Box Chopper

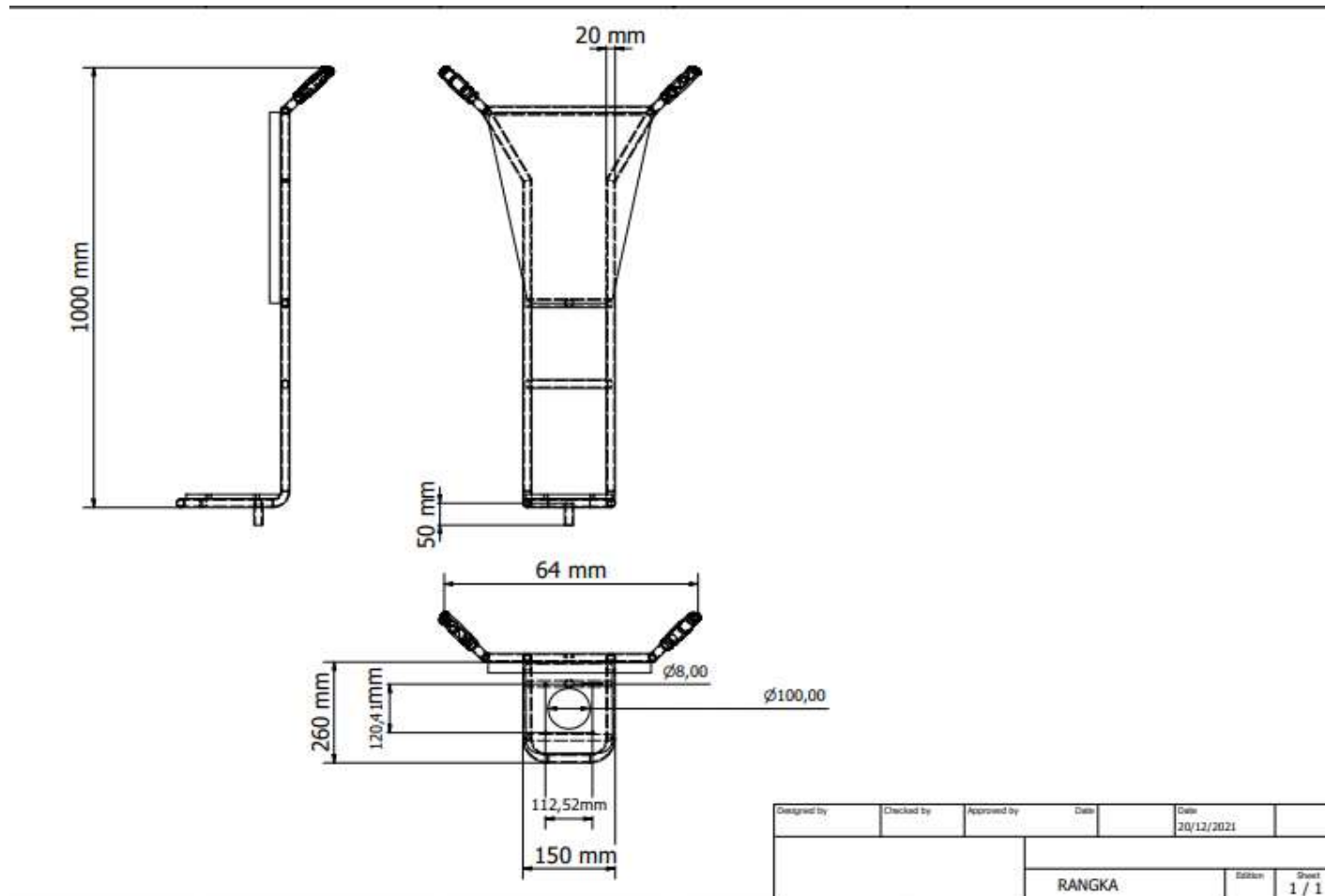


| | | | | |
|-------------|------------|-------------|------------------|-------------|
| Designed by | Checked by | Approved by | Date | Date |
| | | | | 20/12/2021 |
| | | | BANTALAN BEARING | |
| | | | Edison | Sheet 1 / 1 |

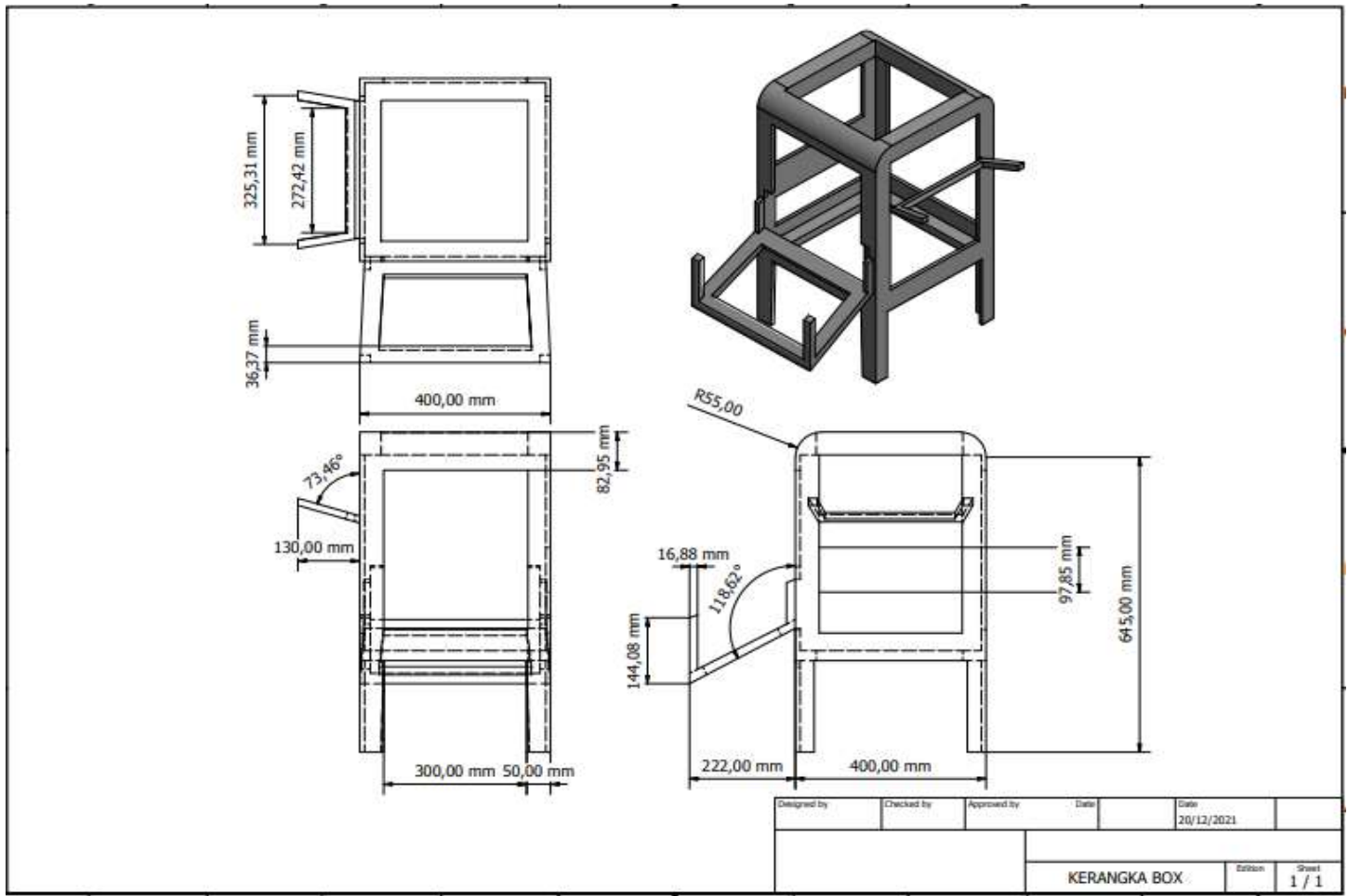
Gambar 8. Bearing



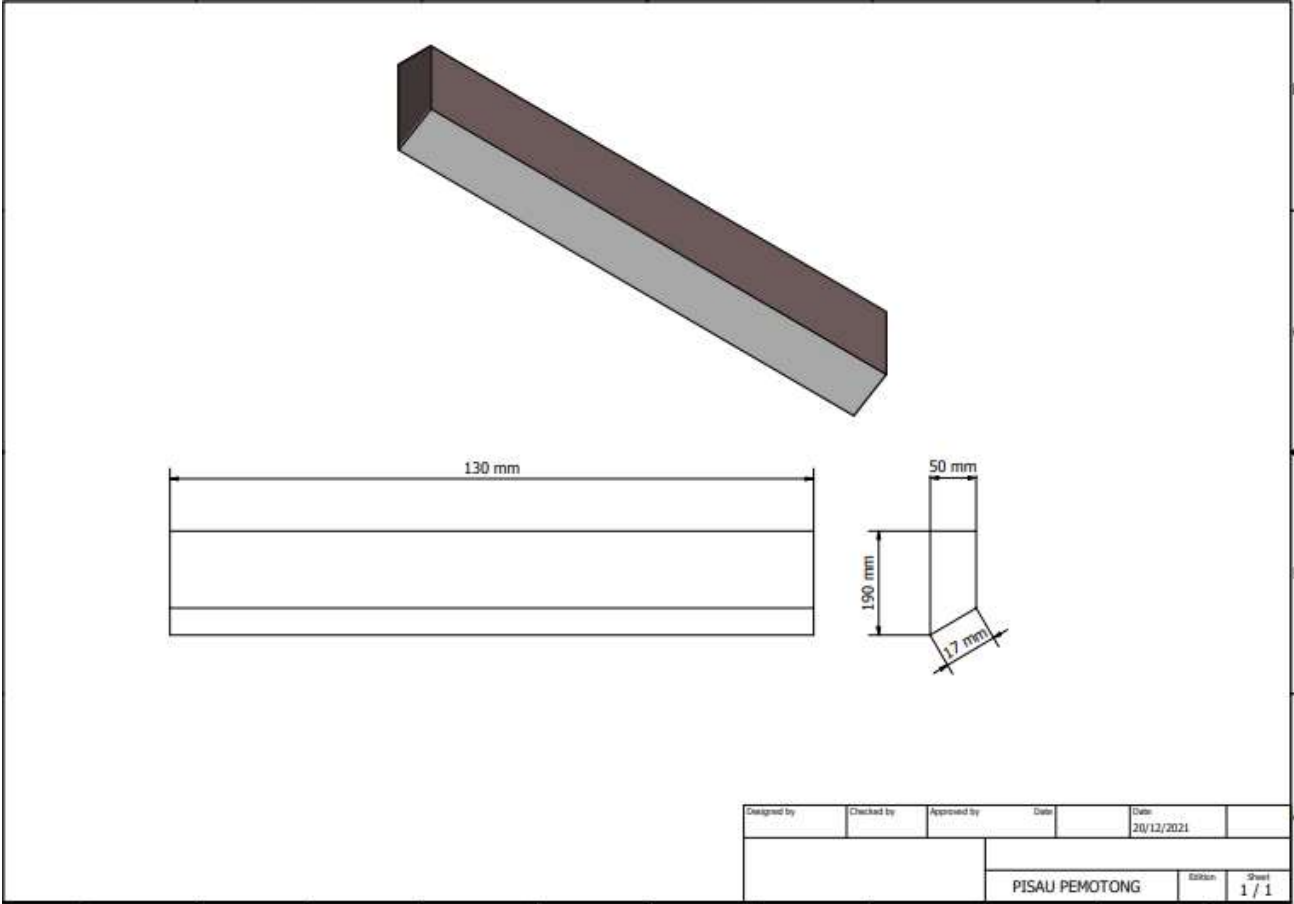
Gambar 9. Bantalan Bearing



Gambar 10. Rangka Mesin



Gambar 11. Rangka Box



Gambar 12. Pisau Potong



